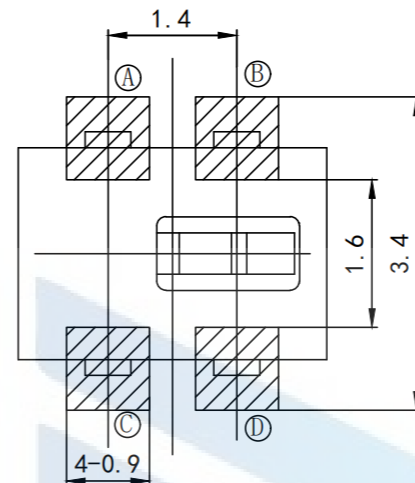
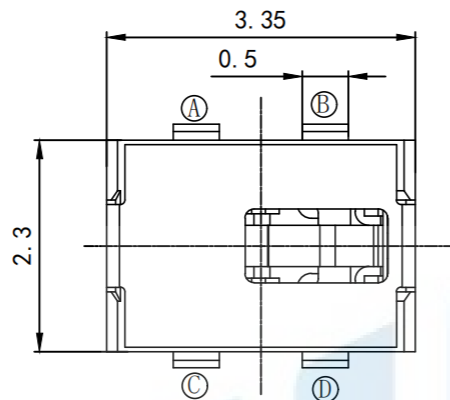
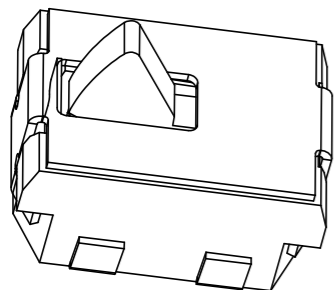
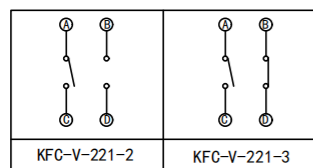
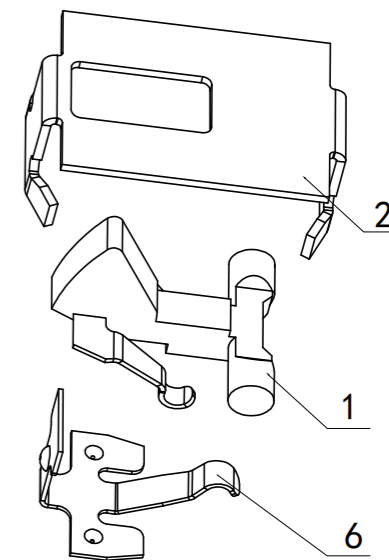


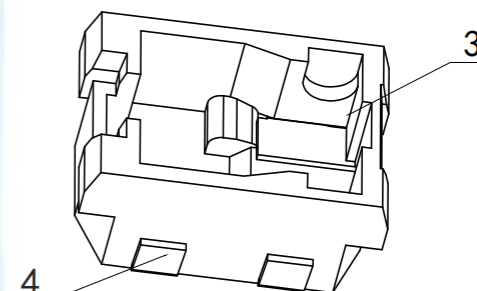
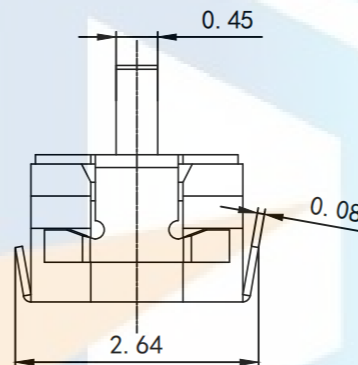
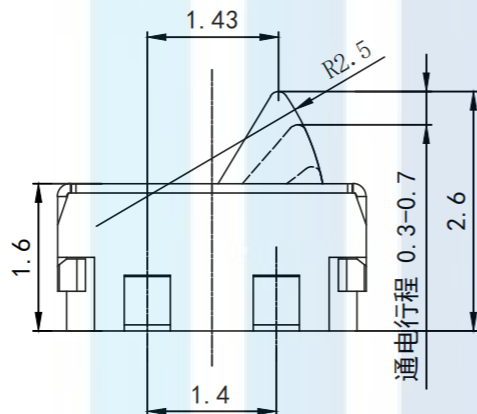
RoHS2.0
Compliant



安装尺寸图



电路图



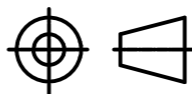
Technical requirements

1. Rated voltage: DC 50V 0.3A
2. Contact resistance: 30MΩ MAX 30 m0hm or less
3. INSULATION RESISTANCE: 100MΩ MIN 100 MEGAOHMS OR MORE
4. Withstand voltage strength: AC500V (50/60Hz)
1 minute sensitivity current is 0.5mA
5. Operating temperature: -16° C±60° C
6. Mechanical life: 10, 000 cycles

TOLERANCE

X. XXX	±0.05
X. XX	±0.15
X. X	±0.20
X.	±0.30
ANGLE	±5.0°

PROTECTON



东莞市恒祺电子科技有限公司

Dongguan Hengqi Electronic Technology Co., Ltd

<https://www.hq-dz.com>

phone:15812872448

TITLE:
限位开关

PART NO:HQ-KFC-V-221-2

DRAWING NO:3.35*1.6*2.3

DRAWN:

DATE: 18-10-08

UNIT:
mm

CHECKED:

DATE: 18-10-08

SCALE:
FULL

APPROVED:

DATE: 18-10-08

SIZE:
A4