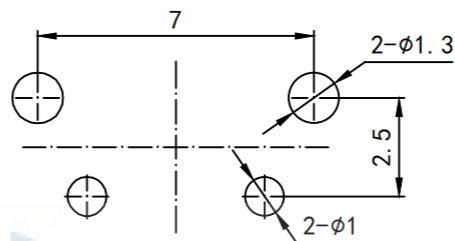
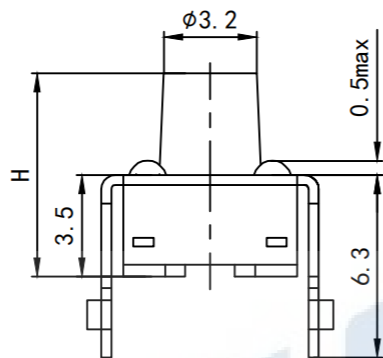
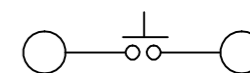
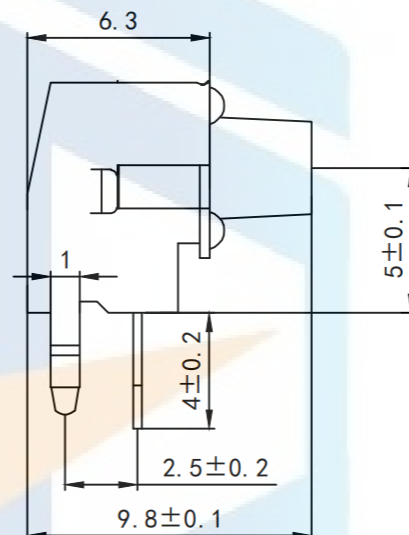
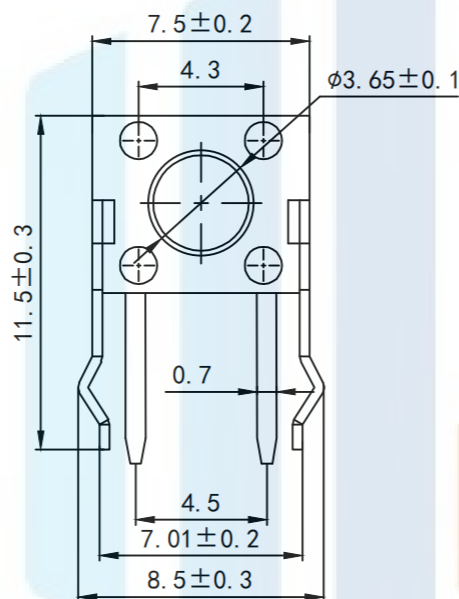
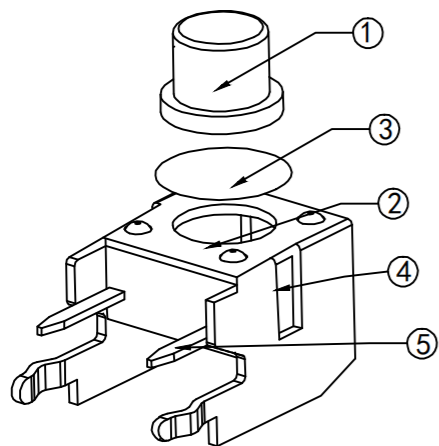


RoHS2.0  
Compliant



PCB线路板安装图(±0.1)

19.35	21
13.85	15
8.35	9.5
7.85	9
7.35	8.5
6.35	7.5
5.35	6.5
4.85	6
3.85	5
3.15	4.3
高度H(mm) ±0.25	高度H(mm) ±0.25



电路图

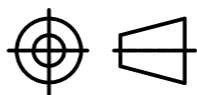
Technical Parameters:

1. Cooking temperature:  $-25\sim+85^{\circ}\text{C}$
2. Rated load: DC12V50mA;
3. Contact resistance:  $\leq 50\Omega$
4. Insulation resistance:  $\geq 100\text{M}\Omega$ ;
5. Withstand voltage: AC250V(50Hz)/min;
6. Operating force:  $250\pm 50\text{g}$ ;
7. Service life: 80000 times;

TOLERANCE

X. XXX	±0.05
X. XX	±0.15
X. X	±0.20
X.	±0.30
ANGLE	±5.0°

PROTECTON



东莞市恒祺电子科技有限公司

Dongguan Hengqi Electronic Technology Co., Ltd

<https://www.hq-dz.com>

phone: 15812872448

TITLE:

轻触开关

PART NO: HQ-TS-D032

DRAWING NO: 6\*6\*H支架

DRAWN:

DATE:

18-10-08

UNIT:  
mm

CHECKED:

DATE:

18-10-08

SCALE:  
FULL

APPROVED:

DATE:

18-10-08

SIZE:  
A4