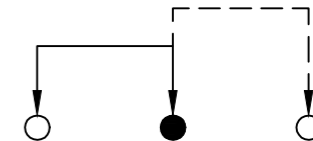
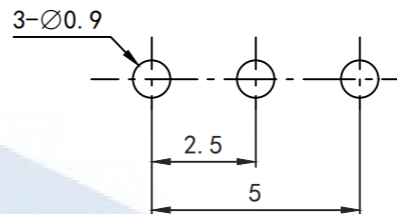
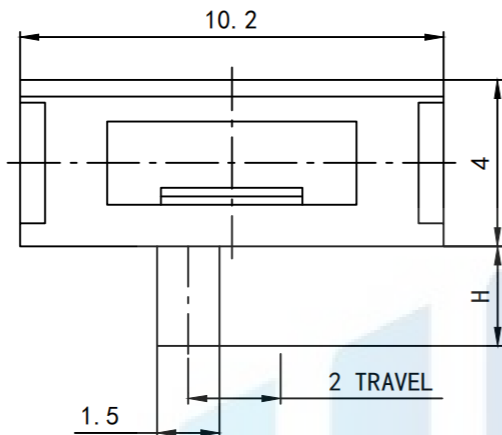
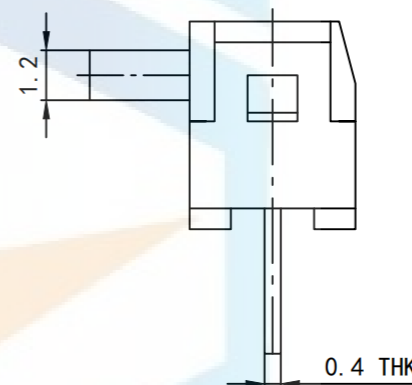
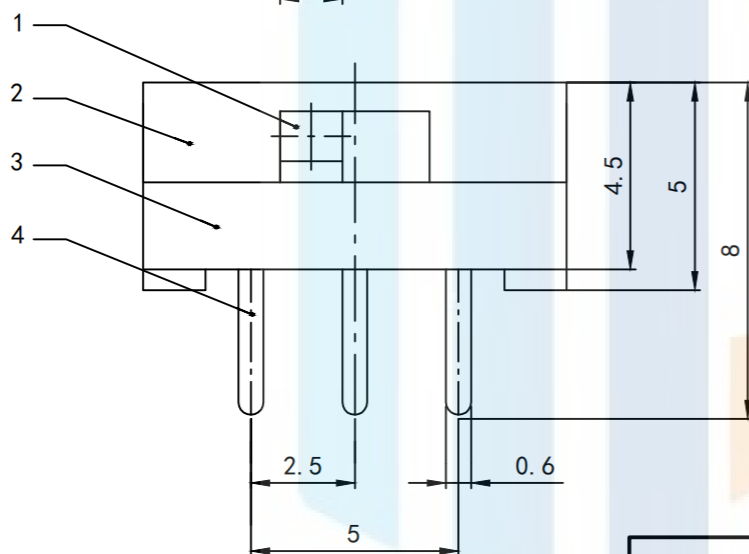


RoHS2.0  
Compliant ✓



SCHEMATIC (SHORTING)

P. C. B LAYOUT



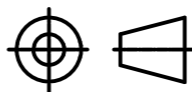
**SPECIFICATION:**

1. Rating: DC 6V 03A
2. Insulation Resistance: 100MΩ at 500V DC
3. Function: 1P2T
4. Initial Contact Resistance: 50mΩ Max
5. Operating Force: 220±70gf
6. Mechanical life: 10000 cycles Min

**TOLERANCE**

X. XXX	±0.05
X. XX	±0.15
X. X	±0.20
X.	±0.30
ANGLE	±5.0°

**PROTECTON**



东莞市恒祺电子科技有限公司

Dongguan Hengqi Electronic Technology Co., Ltd

<https://www.hq-dz.com>

phone: 15812872448

TITLE:

拨动开关

PART NO: MK-12D05

DRAWING NO: 10.2\*4\*H

DRAWN:

DATE:

18-10-08

UNIT:  
mm

CHECKED:

DATE:

18-10-08

SCALE:  
FULL

APPROVED:

DATE:

18-10-08

SIZE:  
A4