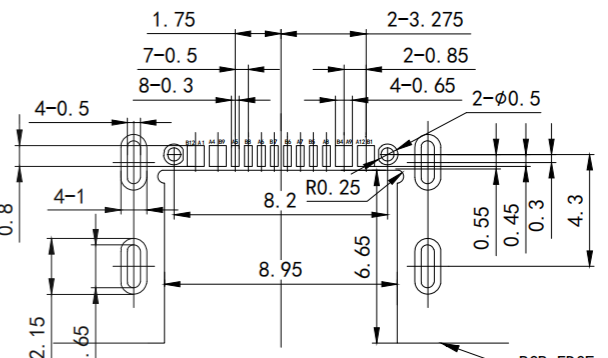
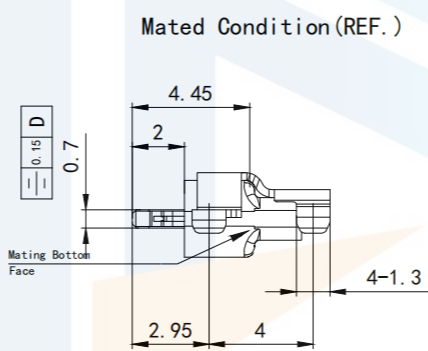
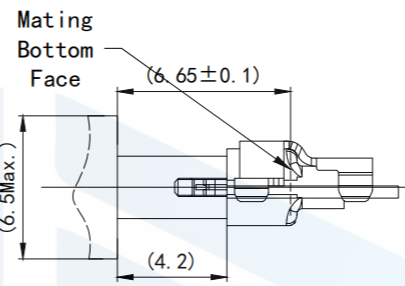
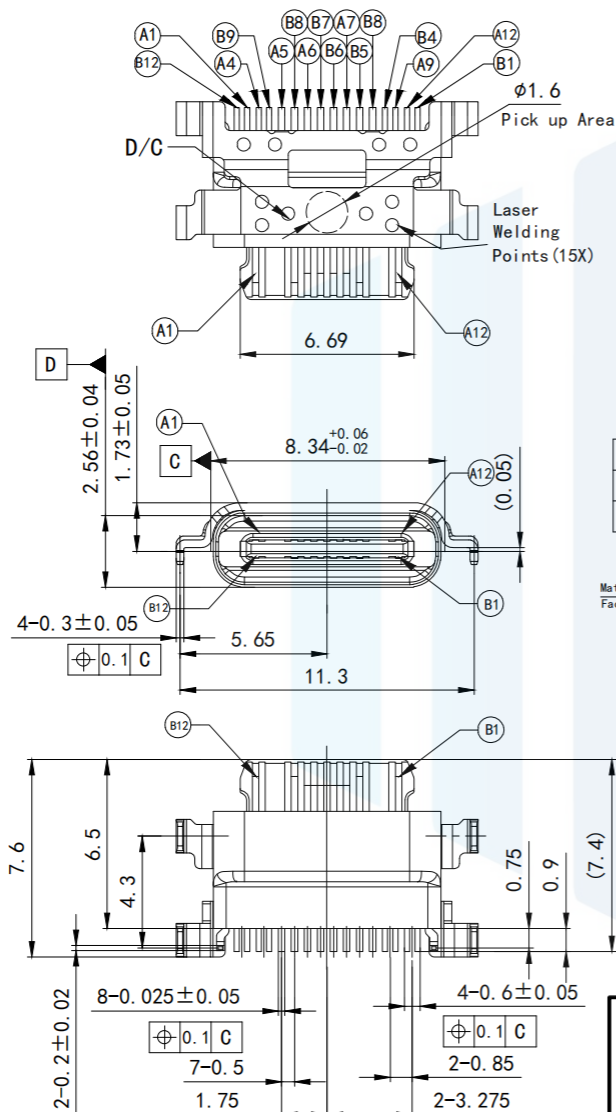
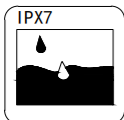
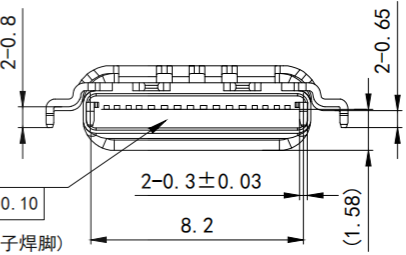


RoHS2.0
Compliant



RECOMMENDED PCB LAYOUT
TOLERANCE: ±0.05



- NOTES:
1. CURRENT RATING: 3.0A MAX
 2. VOLTAGE: 100V AC
 3. TEMPERATURE RANGE: -30°C ~ 85°C:
 4. CONTACT RESISTANCE: 40 MILLIONHM MAX.
 5. INSULATION RESISTANCE: 100M MEFOHMS MIN. 00N
 6. INSERTION FORCE: 5N ~ 20N
 7. NMATING FORCE: 8N ~ 20N
 8. DURABILITY: 10,000 CYCLES.

| | | | |
|--|--|---|--------------------|
| TOLERANCE X. XXX ±0.05 X. XX ±0.15 X. X ±0.20 X. ±0.30 ANGLE ±5.0° | | 东莞市恒祺电子科技有限公司 Dongguan Hengqi Electronic Technology Co., Ltd | |
| | | https://www.hq-dz.com phone: 15812872448 | |
| PROTECTON | DRAWN: CHECKED: APPROVED: | TITLE: TYPE C 16PIN沉板1.58拉伸 4脚插板舌头外露2.0 | |
| | | PART NO: TYPE-C16P-CX205FS | |
| | | DRAWING NO: 11.3*7.6*3.26 | |
| | | DATE: 18-10-08 | UNIT: mm |
| | | DATE: 18-10-08 | SCALE: FULL |
| | | DATE: 18-10-08 | SIZE: A4 |