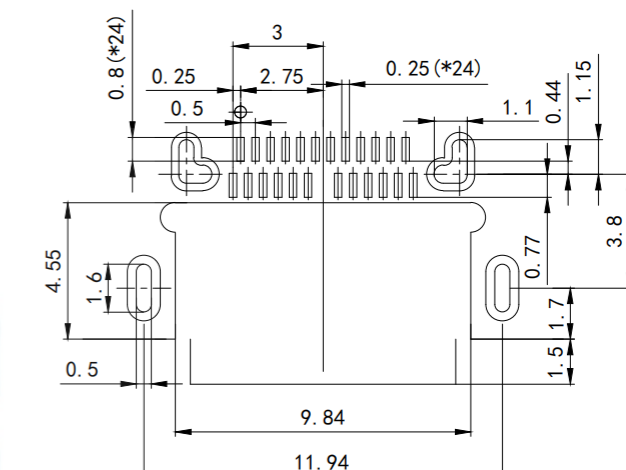
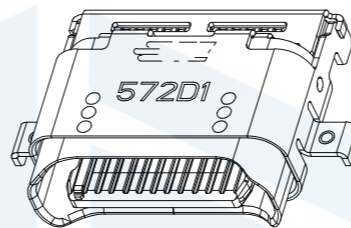
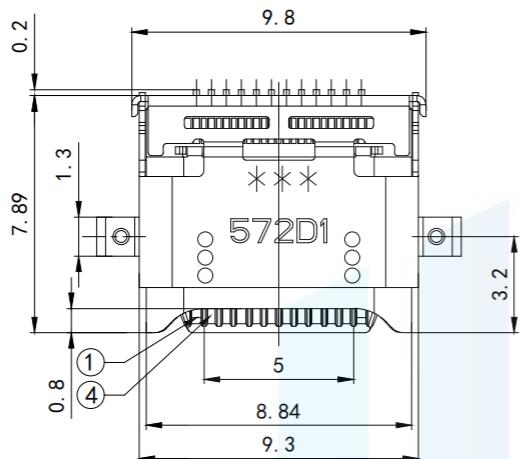
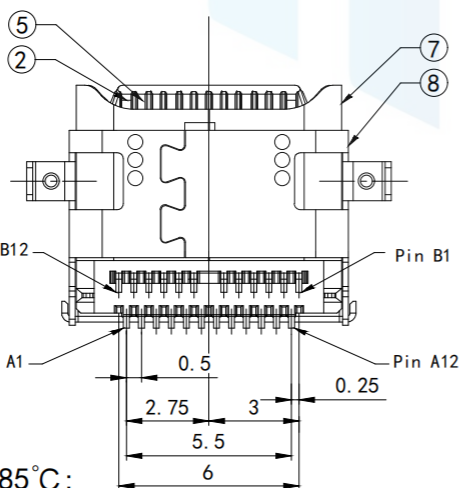
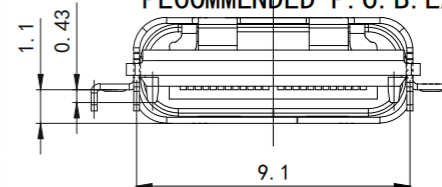
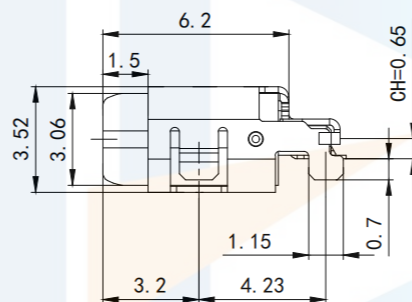
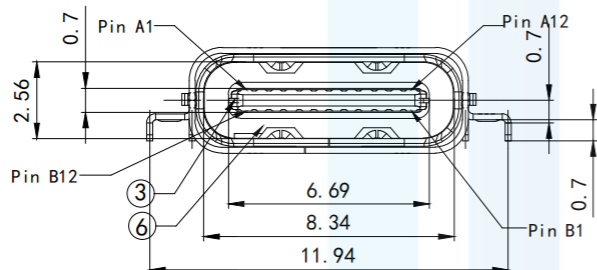


RoHS2.0
Compliant



RECOMMENDED P. C. B. LAYOUT



NOTES:

1. CURRENT RATING: 5.0A MAX
2. VOLTAGE: 100V AC
3. TEMPERATURE RANGE: -30°C ~ 85°C:
4. CONTACT RESISTANCE: 40 MILLIONHM MAX.
5. INSULATION RESISTANCE: 100M MEFOHMS MIN.
6. INSERTION FORCE: 5N ~ 20N
7. NMATING FORCE: 8N ~ 20N
8. DURABILITY: 10,000 CYCLES.

TOLERANCE

X. XXX	±0.05
X. XX	±0.15
X. X	±0.20
X.	±0.30
ANGLE	±5.0°



东莞市恒祺电子科技有限公司
Dongguan Hengqi Electronic Technology Co., Ltd

<https://www.hq-dz.com>

phone: 15812872448

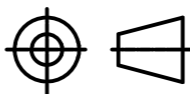
TITLE:

TYPE C 24PIN沉板CH=0.65
双排全贴U口

PART NO: TYPE-C24P-CB065

DRAWING NO: 11.94*3.52*7.89

PROTECTON



DRAWN:

CHECKED:

APPROVED:

DATE:

DATE:

DATE:

18-10-08

18-10-08

18-10-08

UNIT:
mm

SCALE:
FULL

SIZE:
A4