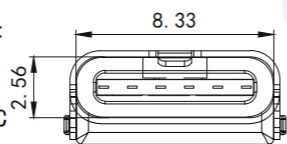
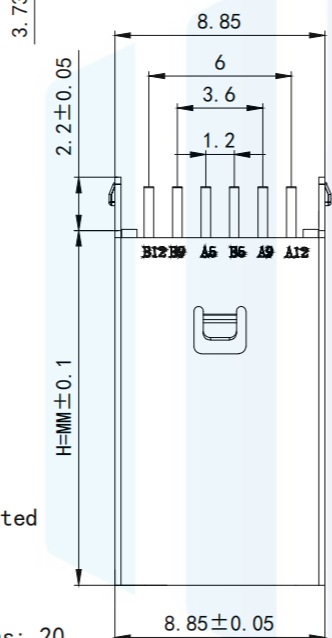
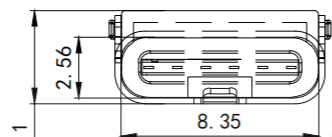


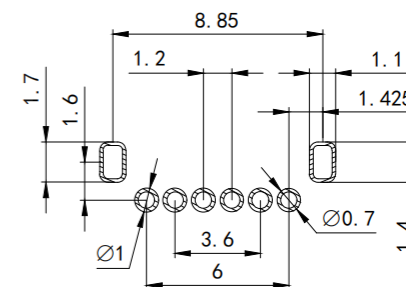
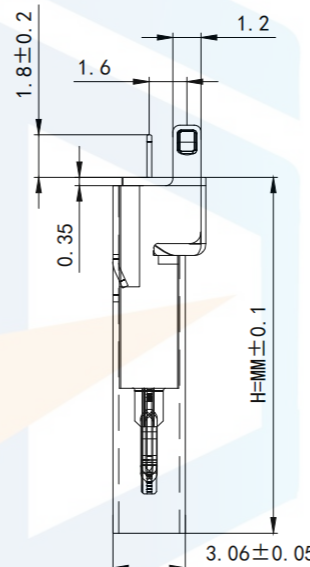
RoHS2.0
Compliant



H=MM								
A	B	C	D	E	F	G	H	L
13	13.7	14.2	15					

USB TYPE C PIN ASSIGNMENTS

Pin	Signal Name	Pin	Signal Name
		B12	GND
		B9	VBus
A5	CC1		
		B5	CC2
A9	VBus		
A12	GND		



RECOMMENDED P. C. B. LAYOUT
TOLERANCE UNSPECIFIED +0.05mm

NOTE:

- 1 Material:
 - 1.1 Adhesive core: LCP UL94 V-0
 - 1.2 terminal: G2680, T 0.2mm; Bottom, gold plated
 - 1.3 shell: SUS201/304 Nickel plated surface
2. Electrical characteristics:
 - 2.1. Contact area: contact resistance 40m
 - 2 Max, 10 mΩ variation allowed. Test conditions: 20 mV, 100 mA measurement
 - 2.2. Contact current: 3A VBUS pin; 1.25AHTCND pin; 0.25A for other pins
 - 2.3. Rated electricity: 5V
 - 2.4. Electrically resistant to electricity: 100VAC
 - 2.5. Insulation resistance: 100 megaohms less
3. Mechanical properties:
 - 3.1. Insertion force: 0.5-2.0Kg
 - 3.2. Pull-out force: 0.6-2.0Kg
 - 3.3. Number of plugging and unplugging: 10000 times.
4. Working environment: -20° C to +85° C
5. Soldering heat resistance: the terminal is immersed in a tin bath at 250+5° C; It lasts 3-5S+0.5Scc, and the tin-staining area is more than 95%.
6. Appearance: The parts can withstand the following welding conditions: temperature 250° C, time 8-10 seconds, no damage and deformation in appearance

TOLERANCE X. XXX ±0.05 X. XX ±0.15 X. X ±0.20 X. ±0.30 ANGLE ±5.0°		东莞市恒祺电子科技有限公司 Dongguan Hengqi Electronic Technology Co., Ltd	
		https://www.hq-dz.com phone:15812872448	
PROTECTON 	DRAWN: CHECKED: APPROVED:	TITLE: TYPE C 6P立式直插 2定位7形插板	
		PART NO:TYPE-C6P-LC0113 DRAWING NO:8.85*3.06*H	
		DATE: 18-10-08	UNIT: mm
		DATE: 18-10-08	SCALE: FULL
		DATE: 18-10-08	SIZE: A4