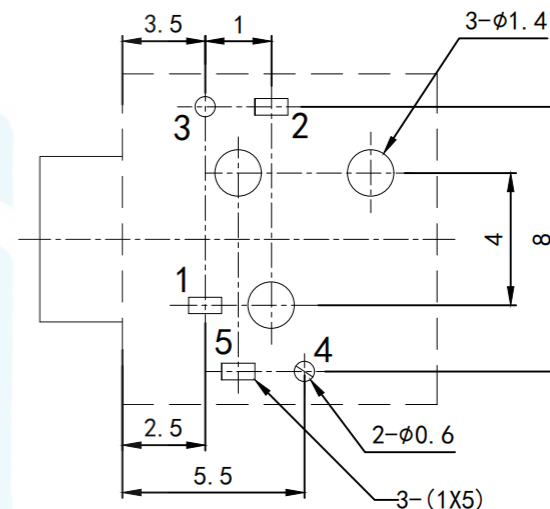
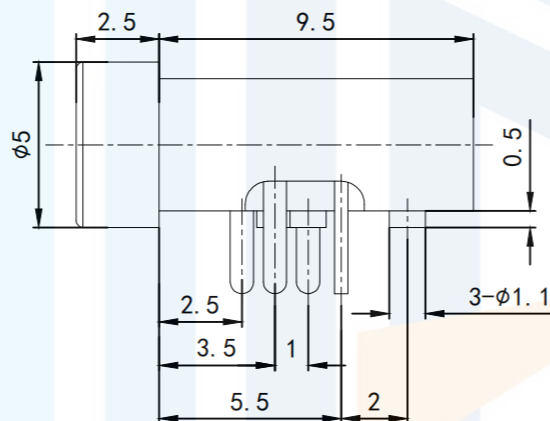
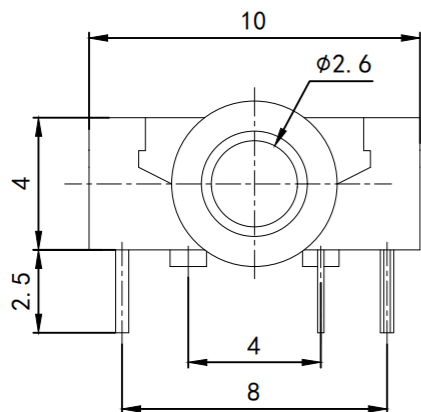
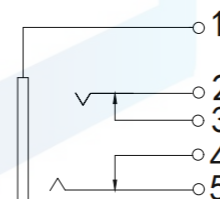


RoHS2.0
Compliant ✓




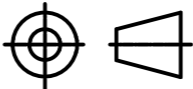
P.C.B HOLE LAYOUT



SCHEMATIC

Technical requirement

1. Rated electrical load: 30V.0.2A
2. Contact resistance: $\leq 0.03\Omega$
3. Insulation resistance: $\geq 100M\Omega$
4. Withstand voltage: AC250V(50HZ)/min
5. Insertion and withdrawal force: 3-10N
6. Life: 5000 times

TOLERANCE	X. XXX	± 0.05		东莞市恒祺电子科技有限公司 Dongguan Hengqi Electronic Technology Co., Ltd		
	X. XX	± 0.15		https://www.hq-dz.com phone:15812872448		
X. X ± 0.20 X. ± 0.30 ANGLE $\pm 5.0^\circ$	TITLE: 耳机插座		PART NO: PJ-204			
	PROTECTON		DRAWING NO: 12*10*4			
	DRAWN:		DATE:	18-10-08	UNIT: mm	
	CHECKED:		DATE:	18-10-08	SCALE: FULL	
	APPROVED:		DATE:	18-10-08	SIZE: A4	