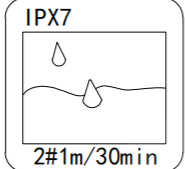
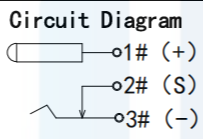
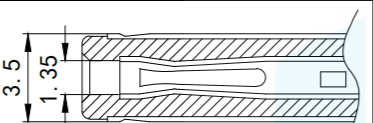
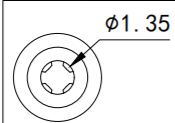


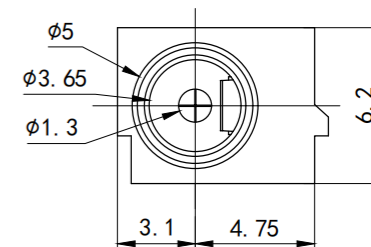
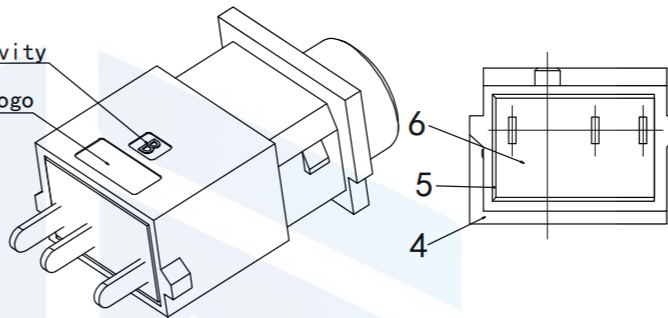
RoHS2.0
Compliant



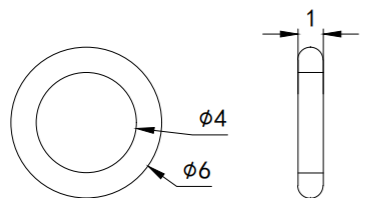
Not to install the waterproof ring shipment



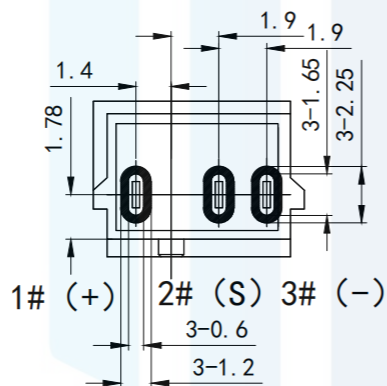
Cavity
Without Logo



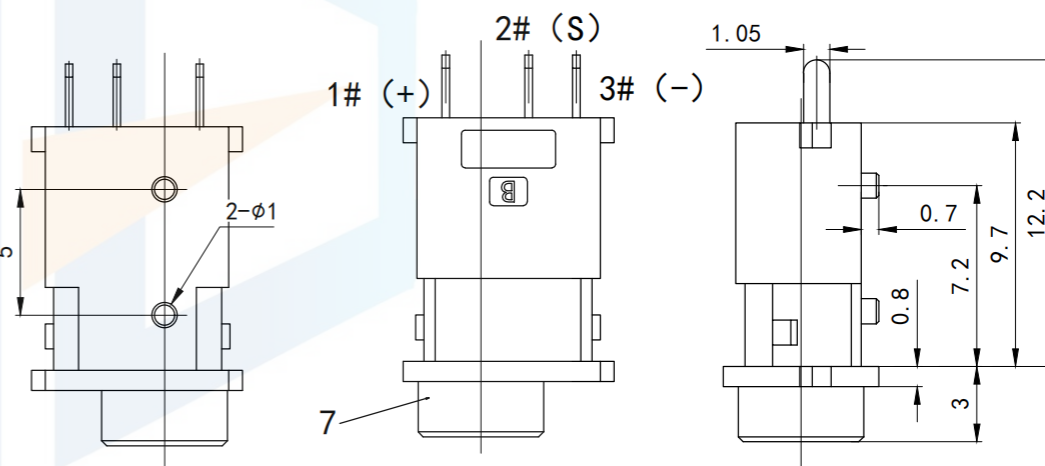
3D VIEW



WHITE WATERPROOF RING



PCB LAYOUT (TOP VIEW)
TOLERANCE: ± 0.05



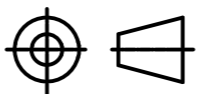
NOTES

1. CURRENT RATING: 24V & 3A MAX.
2. CONTACT RESISTANCE: 50mΩ MAX.
3. INSULATION RESISTANCE: 100MΩ MIN.
4. DIELECTRIC WITHSTANDING: 500V AC MIN.
5. DURABILITY: 5000 CYCLES MIN.
6. CONNECTOR MATING FORCES: 3N MIN.
7. CONNECTOR UNMATING FORCES: 35N MAX.
8. OPERATING TEMPERATURE: -25° C TO +85° C.

TOLERANCE

X. XXX	± 0.05
X. XX	± 0.15
X. X	± 0.20
X.	± 0.30
ANGLE	$\pm 5.0^\circ$

PROTECTON



东莞市恒祺电子科技有限公司
Dongguan Hengqi Electronic Technology Co., Ltd

<https://www.hq-dz.com>

phone: 15812872448

TITLE:
防水DC电源插座

PART NO: DC-1102

DRAWING NO: 15.2*7.8*6.2

DRAWN:

DATE: 18-10-08

UNIT:
mm

CHECKED:

DATE: 18-10-08

SCALE:
FULL

APPROVED:

DATE: 18-10-08

SIZE:
A4